

LATERAL
WYES

MOLDED
FOR YOUR
INDUSTRY

IntegriFuse™

 **INTEGRITY**
Fusion Products, Inc.

INTEGRITYFUSION.COM

The difference MOLDED Makes

Molded Lateral Wyes from Integrity Fusion Products are the new market leader for butt fusion wyes. These fittings offer performance, availability, and value that eliminate the need for fabricated fittings.

The molded difference includes:

- No inner fusion beads
- Fully Pressure Rated
- Wall thickness remains consistent throughout

IntegriFuse fittings are manufactured from 100% Virgin Resin with black high density bimodal polyethylene copolymer designed for use in, but not limited to, potable water, natural gas, industrial, landfill, oil & gas, and mining applications.

IntegriFuse fittings meet ASTM-D2513 & ASTM-D3261 requirements (where applicable).

Butt fusion, electrofusion, and transition

fittings meet ~~BS 6841~~

~~BS 6841~~ / ~~BS 6841~~ SF

~~BS 6841~~ BCMF IntegriFuse fittings are manufactured with resin having a material designation code of PE 3408, PE3608, PE 4710, and PE 100.

Integrity Fusion Products, Inc.

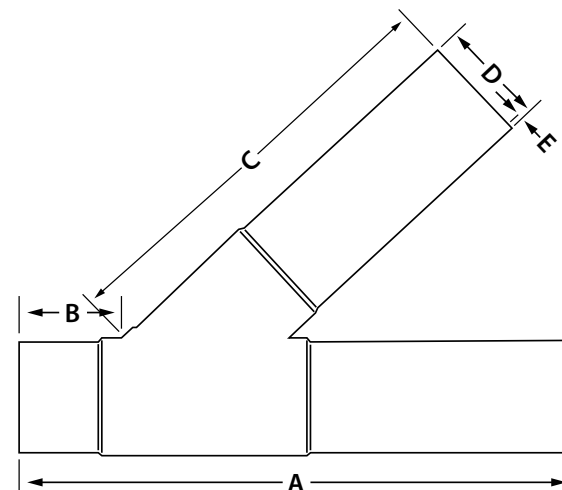
270 Parkade Court

Peachtree City, GA 30269

P: 1-888-770-6330 • P: 770-632-7530

F: 770-632-7540

E: Info@IntegrityFusion.com



SDR 17 (Standard Dimension Ratio) 125 PSI (Working Pressure at 73.4° F)

Nominal Size	A	B	C	D	E	Weight	Item Code
2" IPS	23.74"	5.28"	13.10"	2.375"	0.140"	2.1 lbs.	100901
3" IPS	24.56"	5.90"	13.10"	3.500"	0.206"	3.0 lbs.	100903
4" IPS	28.50"	5.70"	20.60"	4.500"	0.264"	7.0 lbs.	100905
6" IPS	34.65"	5.30"	26.00"	6.625"	0.390"	19.8 lbs.	100907
8" IPS	37.40"	5.70"	27.56"	8.625"	0.507"	44.9 lbs.	100909

SDR 11 (Standard Dimension Ratio) 200 PSI (Working Pressure at 73.4° F)

Nominal Size	A	B	C	D	E	Weight	Item Code
2" IPS	23.74"	5.28"	13.10"	2.375"	0.216"	2.2 lbs.	100900
3" IPS	24.56"	5.90"	13.10"	3.500"	0.318"	4.7 lbs.	100902
4" IPS	28.50"	5.70"	20.60"	4.500"	0.409"	9.7 lbs.	100904
6" IPS	34.45"	5.52"	26.00"	6.625"	0.603"	26.2 lbs.	100906
8" IPS	37.40"	5.70"	27.56"	8.625"	0.785"	52.0 lbs.	100908

