

Product Family:	Injection Molded Butt Fusion Fitting	Fitting Design:	End Cap
Resin Status:	NSF Listed Bi-Modal Virgin Resin	Nominal Pipe Sizes:	3/4" - 12"
Resin Type:	ASTM D3350 designated PE3408/PE4710/PE100	Nominal Pipe Standard:	IPS
Resin Cell Class:	4455574-CC3	Currently Available SDR's	17, 11, 9, 7
Manufactured and tested to meet requirements of:		ASTM D2513, ASTM D3261, ANSI/AWWA C901 & C906, FM 1613, NSF 61	
For use on pipe and fittings conforming to:		ASTM D2513, ASTM D3035, ASTM F-714	

For Material and Testing information, please refer to our Molded Fitting Specification Sheet.

IPS

SDR 17 (standard dimension ratio)

125 PSI (MAOP @ 73.4° F)

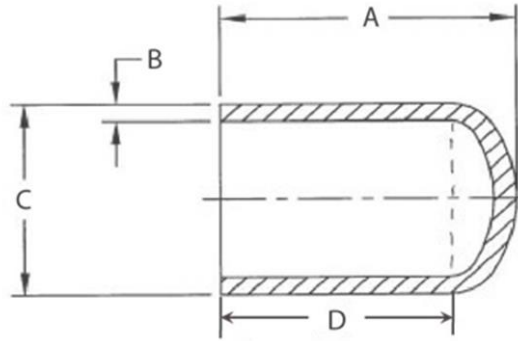
Nominal Size	A [in.]	B [in.]	C [in.]	D [in.]	Weight [lbs.]	Item Code	FM Class
2" IPS	3.230	0.140	2.375	2.52	0.10	100306	----
3" IPS	4.720	0.206	3.500	3.70	0.40	100310	----
4" IPS	5.310	0.264	4.500	3.98	0.70	100314	----
6" IPS	6.890	0.390	6.625	4.84	2.00	100318	----
8" IPS	8.660	0.507	8.625	5.83	4.20	100322	----
10" IPS	9.840	0.633	10.75	6.30	7.50	100326	----
12" IPS	11.77	0.750	12.75	7.52	12.4	100328	----

IPS

SDR 11 (standard dimension ratio)

200 PSI (MAOP @ 73.4° F)

Nominal Size	A [in.]	B [in.]	C [in.]	D [in.]	Weight [lbs.]	Item Code	FM Class
3/4" IPS	2.550	0.095	1.050	2.18	0.10	100300	----
1" IPS	2.640	0.120	1.315	2.18	0.10	100302	----
1 1/4" IPS	2.770	0.151	1.660	2.18	0.10	100303	----
1 1/2" IPS	3.100	0.173	1.900	2.42	0.70	100304	----
2" IPS	3.230	0.216	2.375	2.52	0.80	100305	FM 200
3" IPS	4.720	0.318	3.500	3.70	0.90	100309	FM 200
4" IPS	5.310	0.409	4.500	3.98	1.10	100313	FM 200
6" IPS	6.890	0.603	6.625	4.84	2.90	100317	FM 200
8" IPS	8.660	0.785	8.625	5.83	6.30	100321	FM 200
10" IPS	9.840	0.978	10.75	6.30	10.9	100325	FM 200
12" IPS	11.77	1.160	12.75	7.52	18.4	100327	FM 200



IPS

SDR 9 (standard dimension ratio)

255 PSI (MAOP @ 73.4° F)

Nominal Size	A [in.]	B [in.]	C [in.]	D [in.]	Weight [lbs.]	Item Code	FM Class
2" IPS	3.230	0.264	2.375	2.52	0.3	100308	FM 250
3" IPS	4.720	0.389	3.500	3.70	0.8	100312	FM 250
4" IPS	5.310	0.500	4.500	3.98	2.4	100316	FM 250
6" IPS	6.890	0.736	6.625	4.84	2.8	100320	FM 250
8" IPS	8.660	0.958	8.625	5.83	5.6	100324	FM 250

IPS

SDR 7 (standard dimension ratio)

335 PSI (MAOP @ 73.4° F)

Nominal Size	A [in.]	B [in.]	C [in.]	D [in.]	Weight [lbs.]	Item Code	FM Class
2" IPS	3.230	0.339	2.375	2.52	0.3	100307	FM 335
3" IPS	4.720	0.500	3.500	3.70	1.0	100311	FM 335
4" IPS	5.310	0.643	4.500	3.98	2.4	100315	FM 335
6" IPS	6.890	0.946	6.625	4.84	2.8	100319	FM 335
8" IPS	8.660	1.232	8.625	5.83	5.6	100323	FM 335